



XDL Micro

HIGH PERFORMANCE COMPACT DATA LINK

The XDL Micro is a 0.5 and 2.0 Watt UHF transceiver designed for integration into products that require either a one- or two-way radio communication link covering 70 MHz in a single band. This sophisticated radio utilizes Pacific Crest's next generation XDL modem technology while remaining backward compatible with existing Pacific Crest and other products. Integrating the latest modem technology from the leader in radio frequency data communications instantly puts your products in touch with the world's largest installed base of GNSS precise positioning systems.

Key Features

- ▶ 70 MHz Coverage Single 403-473 MHz band
 - Advanced data link design for high performance over entire band
- ▶ High Over-the-Air Link Rate
 - 19,200 bps (both GMSK and 4FSK)
 - Supports 1 Hz RTK corrections for multi-GNSS receivers
- ▶ Software-Derived Channel Bandwidth
 - Compatible with both 12.5 and 25 KHz radios
- ▶ High Environmental Capabilities
 - High vibration tolerance
 - Wide temperature specifications



GENERAL SPECIFICATIONS

- DTE - DCE Interface
 - 115.2 kbps maximum
- User Interface
 - Low Profile 30 Pin Connector, refer to Pin-Outs in XDL Micro Integrator's Guide

RADIO SPECIFICATIONS

- Frequency Band
 - 403-473 MHz
- Frequency Control
 - Synthesized 6.25 kHz tuning resolution
- Frequency stability +/- 1 PPM
 - 12.5 kHz and 25 kHz, software derived
- RF Transmitter Output
 - 0.5 or 2.0 Watt (Programmable)
- Sensitivity
 - -110 dBm BER 10^{-5}
- Type Certification
 - Type accepted and certified for operation in the U.S., Canada, Europe, Australia and New Zealand

MODEM SPECIFICATIONS

- Link Rate/Modulation
 - 4 Level FSK
 - > 9600 bps
 - > 19,200 bps
 - GMSK
 - > 4800 bps
 - > 8000 bps
 - > 9600 bps
 - > 16,000 bps
 - > 19,200 bps
- Link Protocols
 - Transparent EOT/EOC/FST
 - Packet-switched
 - TRIMMARK™
 - TRIMTALK™
 - SATEL®
- Forward Error Correction
 - Yes

ENVIRONMENTAL

- Operating Temperature
 - Receiver: 40 °C to +85 °C (-40 °F to +185 °F)
 - Transmitter: -40 °C to +65 °C (-40 °F to +149 °F)
- Storage Temperature
 - -55° to +85 °C (-67 °F to +185 °F)
- Shock and Vibration
 - MIL-STD-810F

POWER

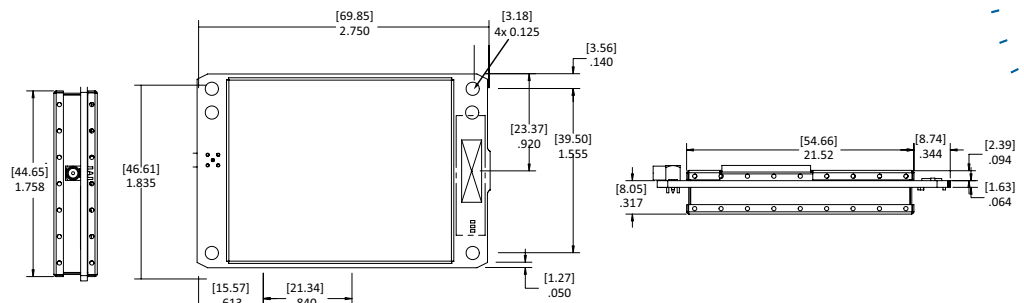
- External
 - Regulated 3.6 VDC +/- 10%
- During RX
 - 0.45 Watts nominal @ 3.6 VDC
- During TX
 - 2.9W @ 0.5W RF Output
 - 6.5W @ 2W RF Output

PHYSICAL

- Dimensions
 - 69.8 mm L x 46.6 mm W x 11.2 mm H 2.750"
 - L x 1.835" W x 0.442" H
- Weight
 - 40 g (1.4 oz)
- Data/Power Connector
 - 30-pin AVX Series 5046
- Mounting
 - See Envelope Drawing below

ORDERING INFORMATION

- XDL Micro 2 Watts 70888-10



TRIMBLE
Integrated Technologies
510 DeGuigne Drive
Sunnyvale, CA 94085

Email: sales-intech@trimble.com

Specifications subject to change without notice.