



# Trimble AV39 Antenna

TSO CERTIFIED ANTENNA FOR AIRBORNE MAPPING AND SURVEYING APPLICATIONS

The Trimble AV39 antenna is a lightweight, TSO certified antenna. It provides centimeter precision with superior phase center repeatability.

## COMPREHENSIVE GNSS SUPPORT

The Trimble AV39 antenna offers full support for current and near-future GNSS signals including GPS, GLONASS, Galileo, BeiDou, QZSS, IRNSS, OmniSTAR, Trimble RTX and SBAS.

## ROBUST, LOW-MULTIPATH GPS ANTENNA

Mapping and surveying from the air using GNSS requires survey grade antenna technology in a compact and reliable form factor. The Trimble AV39 antenna achieves high precision and accuracy without compromising on weight and size.

## Key Features

- ▶ Comprehensive GNSS support including GPS modernization signals, GLONASS, BeiDou, Galileo, QZSS and IRNSS
- ▶ TSO certified for airborne installations
- ▶ Low-profile design and ARINC 743 Footprint
- ▶ SBAS, L-Band support
- ▶ Iridium interference protection



# Trimble AV39 GNSS Antenna

## TECHNICAL SPECIFICATIONS

- Comprehensive GNSS Tracking:
  - GPS: L1, L2, L5
  - GLONASS: L1, L2, L3
  - Galileo: E1, E5a, E5b
  - BeiDou: B1, B2
  - QZSS: L1, L2, L5
  - IRNSS: L5
  - SBAS: WAAS, EGNOS, GAGAN, and MSAS
  - MSS: OmniSTAR, Trimble RTX
- Quality signal tracking
- TNC female signal connector
- Small cross-sectional area to reduce aerodynamic drag
- Integral low noise amplifier
- Powered by GNSS receiver via coaxial cable
- High gain for reliable tracking in difficult environments
- FAA certificate supplied with each antenna
- Iridium interference protection

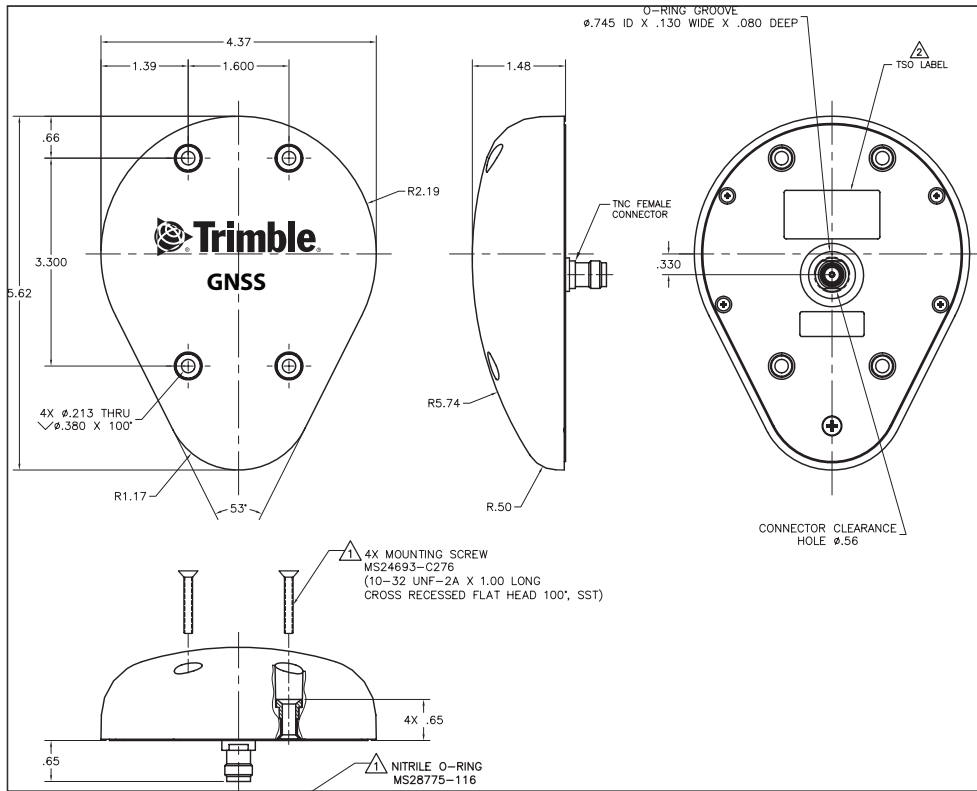
## PART NUMBERS

- 105728 (US) ..... Trimble AV39 Antenna
- 105728-10 ..... Trimble AV39 Antenna (Non-US Orders)

## PHYSICAL AND ELECTRICAL SPECIFICATIONS

Dimensions . . .	14.27 cm length, 11.10 cm width, 3.76 cm height
	5.62" length, 4.37" width, 1.48" height
Weight . . . . .	0.386 kg (0.85 lbs)
Operating Temperature . . .	-55 °C to +70 °C (-67 °F to +158 °F)
Altitude . . . . .	≤ 16,764 m (55,000 ft)
Finish . . . . .	UV Resistant white radome with aluminum base
Designed to . . . . .	DO-160E
	ARINC 743 Footprint
	RTCA DO-210D
TSO . . . . .	Incomplete TSO-C132
Frequencies . . . . .	1525-1610 MHz
	1160-1252 MHz
Signal gain . . . . .	38 dB
Voltage . . . . .	4.2 to 15.0 VDC
Polarization . . . . .	Right Hand Circular
Axial Ratio . . . . .	3 dB Max @ boresight
Amplifier Noise Figure . . . . .	3.5 dBMax
Impedance . . . . .	50 Ohms
	VSWR : ≤ 2.0:1

Specifications subject to change without notice.



Contact your local dealer today

**TRIMBLE**  
 Integrated Technologies  
 510 DeGuigne Drive  
 Sunnyvale, CA 94085  
 Americas & Asia-Pacific  
 Europe/EMEA

Email: sales-intech@trimble.com

© 2019, Trimble Navigation Limited. All rights reserved. Trimble logo are trademarks of Trimble, registered in the United States and in other countries. All other trademarks are the property of their respective owners. (08/19)