



# Trimble LV59 Antenna

## HIGH PRECISION ANTENNA FOR LAND APPLICATIONS

The Trimble LV59 GNSS antenna is designed for various ground based applications. It supports centimeter-level accuracy through superior phase center stability and signal filtering.

### COMPREHENSIVE GNSS SUPPORT

The Trimble LV59 antenna offers full support for current and near-future GNSS signals including GPS, GLONASS, Galileo, BeiDou, QZSS, IRNSS, OmniSTAR, Trimble RTX and SBAS.

### ROBUST, LOW-MULTIPATH GPS ANTENNA

The LV59 antenna offers robust signal tracking. Coupled with advanced signal filtering to minimize multipath, the LV59 antenna is capable of delivering a centimeter-level solution.

### Key Features

- ▶ Comprehensive GNSS support including GPS modernization signals, GLONASS, BeiDou, Galileo, QZSS and IRNSS
- ▶ SBAS, L-Band support
- ▶ 5/8" x 11 Mounting



# Trimble LV59 Antenna

## TECHNICAL SPECIFICATIONS

- Comprehensive GNSS Tracking:
  - GPS: L1, L2, L5
  - GLONASS: L1, L2, L3
  - Galileo: E1, E5a, E5b
  - BeiDou: B1, B2
  - QZSS: L1, L2, L5
  - IRNSS: L5
  - SBAS: WAAS, EGNOS, GAGAN, and MSAS
  - MSS: OmniSTAR, Trimble RTX
- 5/8" x 11 UNC female threaded aluminum mounting point

## ENVIRONMENTAL QUALIFICATIONS

Conditions	DO-160D Section	String Category	Description
Temperature Variation	5	A	-55 °C to +85 °C 10° /min, 2 cycles
Humidity	-	Method 507.4	MIL-STD-810-F
Shock	-	Method 516.5	MIL-STD-818-F Procedure II
Vibration	-	516.5C.3	MIL-STD-810-F, Section 514.5 CVII

## PHYSICAL AND ELECTRICAL SPECIFICATIONS

Dimensions ..... 14.60 cm diameter x 6.25 cm height  
(5.75 in diameter x 2.46 in height)

Weight ..... 0.48 Kg (1.06 lb)

Operating Temperature .. -40 °C to +85 °C (-40 °F to +185 °F)

Altitude ..... <16,764 m (55,000 ft)

Finish ..... UV resistant white radome  
with aluminum base

Compliance ..... .ROHS

Signal gain ..... .39 dB

Voltage ..... 4.2 V DC to 15 V DC

Polarization ..... Right Hand Circular

Axial Ratio ..... 3 dB Max @ boresight

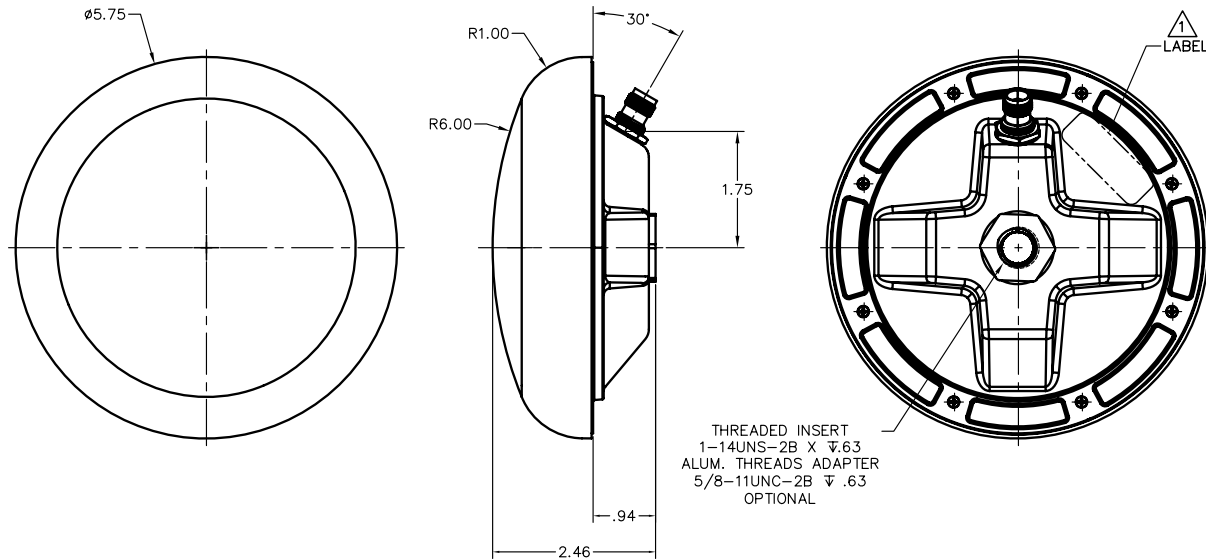
Amplifier Noise Figure ..... 2.6 dBMax

Impedance ..... 50 Ohms  
VSWR : ≤ 2.0:1

## PART NUMBER

C03167 ..... Trimble LV59 Antenna

Specifications subject to change without notice.



TRIMBLE  
Worldwide  
Integrated Technologies  
510 DeGuigne Drive  
Sunnyvale, CA 94085

Email: sales-intech@trimble.com